



vestis

RAINWATER SYSTEM



 **mazzonetto**



CENTRO

SERVIZI

INDEX

Description	05
Advantages	07
The Smart System	11
Endcap with Rubber	12
Gutter Connector	13
Corner / Welded Elbow	14
Pipe Connector / Welded Double Elbow	15
Rainwater System	16



DESCRIPTION

Vestis is Mazzonetto's prepainted aluminium line.

Aluminium has a lightweight, corrosionproof and ductile nature; these three characteristics make it the material of the future. It meets perfectly the modern requirements of the building industry without thwarting the creativity of the designers. As a brand, Vestis distinguishes itself for its toughness. It can be used in the most hostile environments where it will resist ageing and withstand UV rays, even at high altitudes and in coastal locations.

The creative vein of the designers is gratified by the a wide range of different colors and surface appearances which can be either smooth or textured, as per the latest cladding trends would have it. Mazzonetto has developed a complete rainwater system line, in order to provide a safe solution which consistently reduces the risk for water and moisture damage on facades, plinths and foundations, always considering a pleasant aesthetic appearance, in the respect of high quality standards.



TECHNICAL CHARACTERISTICS

COATING FINISH	EXTERNAL ENVIRONMENTAL CONDITIONS						
	RURAL	URBAN/ INDUSTRIAL (moderate pollution)	INDUSTRIAL (severe pollution)	MARINE (>3 km)	MARINE (3 km > 1 km)	MARINE (<1 km)	STRONG UV RAYS (over 900 m altitude)
VESTIS	40 Year Warranty	40 Year Warranty	20 Year Warranty	40 Year Warranty	20 Year Warranty	NO Warranty	40 Year Warranty

BASE METAL - VESTIS LINE FOR PROFILES AND FACADE CLADDING	H41
ALLOY TYPE	Serie 3005
FACE A	35 µm HDP
FACE B	20 µm POLYESTER
SURFACE PENCIL HARDNESS	H
CRACK FORMATION DURING BENDING	≤ 1,5T free of cracks
ADHESION AFTER BENDING	≤ 1T peel adhesion
SALT SPRAY TEST	1500 h
UV RESISTANCE	RUV 4

ADVANTAGES

1 - LIGHTWEIGHT

Aluminium roof weight is around 2 kg/m². This is 1/10 of a traditional tile roof and less than half of a copper, titanium zinc and prepainted steel roof.

Lightness is an advantage for the installer while working on the roof and with rainwater system too. In renovating old houses it is not necessary to reinforce the old roof understructure saving money and time.

2 - MALLEABLE & EASY TO WORK WITH

Aluminium alloy is very flexible and ductile.

VESTIS H41 hardness is the ideal metal to be used in double standing seam installations. Moreover it can be worked without breakage at low temperature.

3 - LONG TIME RESISTANT:

RUSTPROOF: aluminium protects itself from rust with a self-protective layer.

SEVERE ATMOSPHERICAL CONDITIONS RESISTANT: with 35 microns of high durability polyester coating on the front face, the material is very well protected by storms, snow and strong UV rays too. Indeed Vestis is warrantied even if installed over 900 m of altitude.

20 microns of polyester on the back face ensure gutters longer life, while roof and facade are protected from the contact with other materials.

4 - DESIGN & CREATIVITY

Aluminium ductility gives the opportunity to create any shape without limitation to the architectural creativity. It can be combined with traditional and modern buildings, according to everyone's preferences.

5 - COMPLETE LINE

VESTIS is presented with a complete line of roofing accessories and rainwater system.

6 - ECOLOGICAL & RECYCLABLE

Aluminium is 100% recyclable and atoxic.

7 - WARRANTY

VESTIS is covered by a 40 year warranty against corrosion and color ageing for a long-lasting life. Warranty is automatic and it covers both coils and rainwater system.

COLORS AND FINISHINGS

K2 ROOF SURFACES



COPPER ROOF



GREEN ROOF

K2 SMOOTH SURFACES



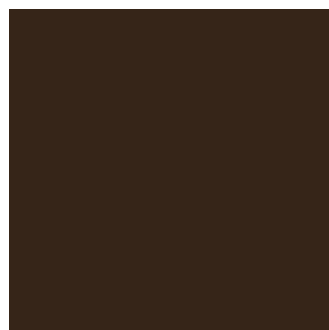
RAL 9006



RAL 7016



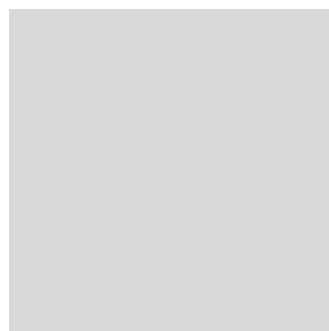
RAL 7037



TESTA DI MORO



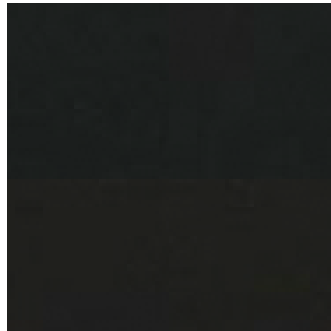
RAL 9005



RAL 9010

COLORS AND FINISHINGS

K2 MATT SURFACES



GRAPHITE BLACK



SLATE GREY



AGATE GREY

3D TEXTURED SURFACES



RAL 7016



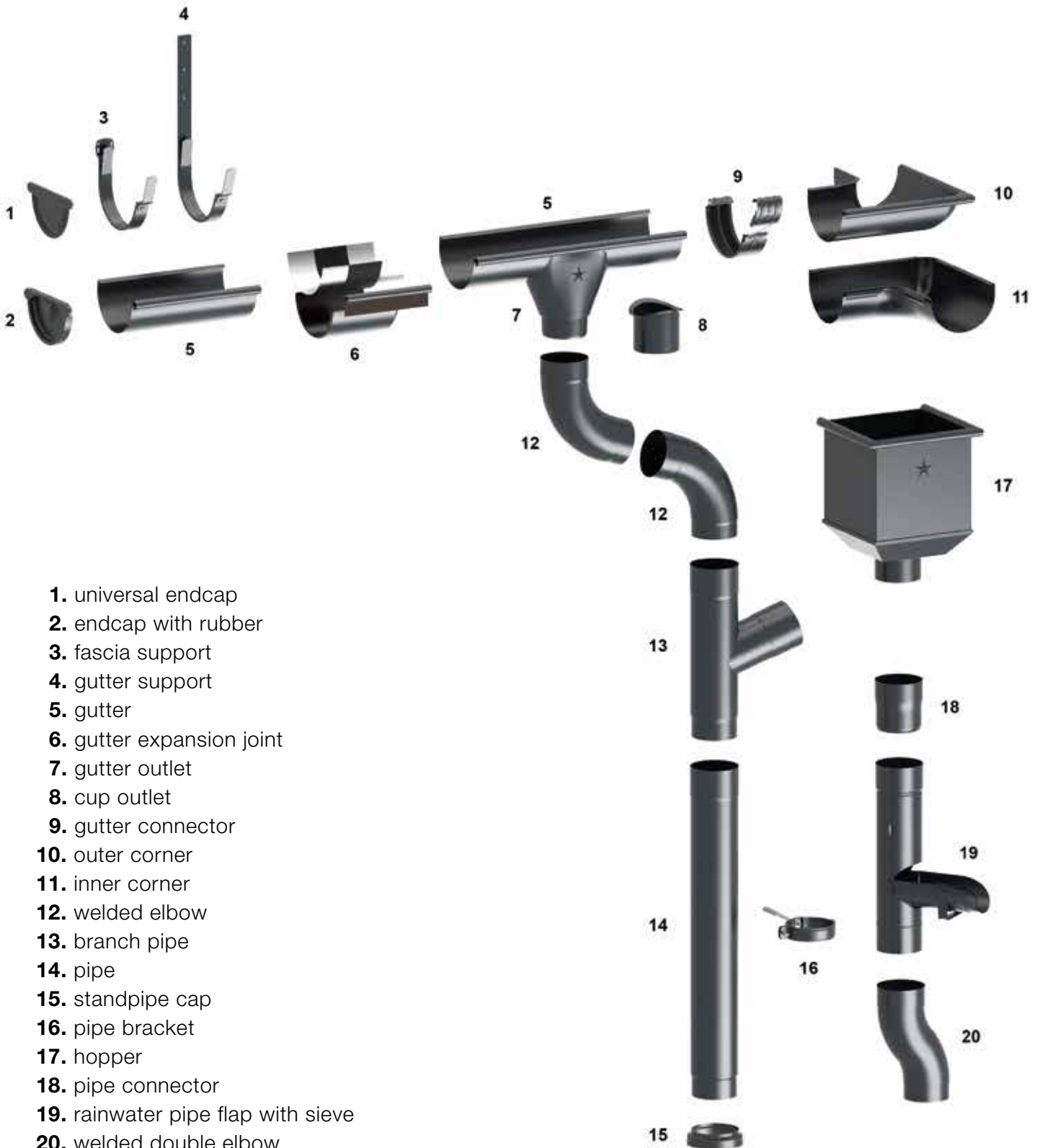
RAL 7037



CORTEX

**The colors may show slight differences
in color tone between different production lots.**

RAINWATER SYSTEM



THE SMART SYSTEM

The Vestis range of roofing accessories is distinguished on the market for the innovative joining system of certain components. The design of each individual element conforms to the applicable regulations and stems from extensive research involving several installers from various European and non-European countries, with whom we interact directly on a regular basis.

The resulting range is easy to install thanks to the use of special seals, designed specifically to fit with our accessories and made of EPDM, a material capable of withstanding temperature shocks which guarantees perfect mechanical and hydraulic sealing without welding or direct fastenings.

Thanks to the special care dedicated to ensuring perfect dimensional compatibility between all the elements, the operator can connect easily the accessories with the advantage of saving plenty of time.

Besides the smart installation, the range has also been redesigned and its aesthetic appeal is highly appreciated both by designers and private users. The color assortment proposed for the K2 Roof surfaces and K2 Smooth surfaces versions is compatible with all types of buildings, guaranteeing color uniformity across all the elements. The wide range of accessories offered in various sizes satisfies the needs of all installers.



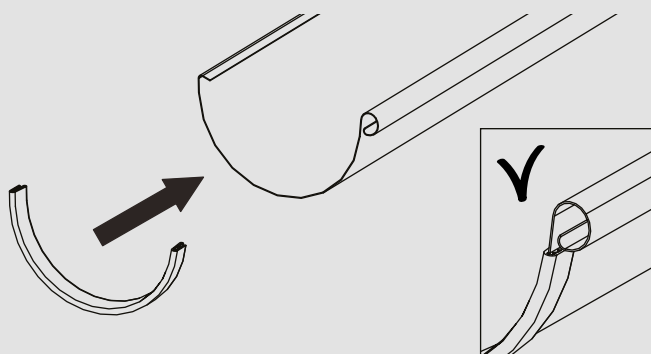
ENDCAP WITH RUBBER



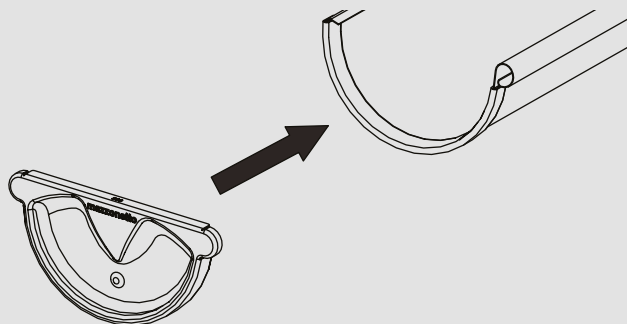
The special shape of this end cap ensures quick installation thanks to the innovative seal.

A high degree of mechanical sealing and watertightness is guaranteed without having to use glue, silicone or welding. Available sizes are 250, 280, 333 and 400 mm.

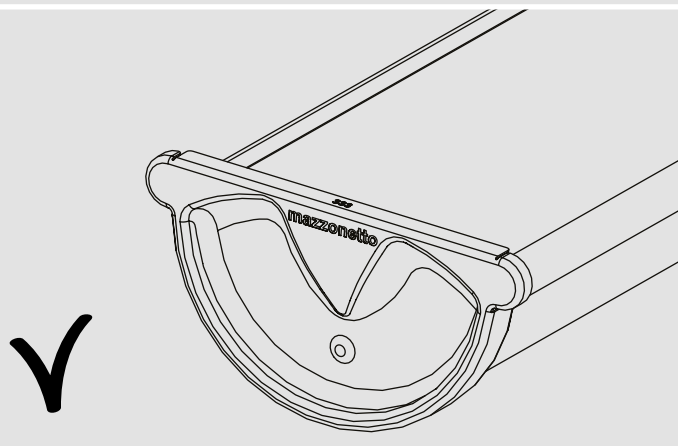
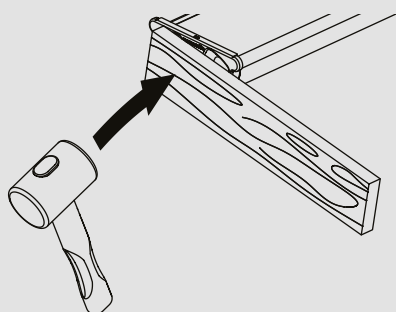
Place the rubber sealing on the gutter, arranging the wings in the outer part of the gutter.



Place the end cap in the sealed gutter.



With a wooden board/polyethylene support and a hammer with plastic head, fix the end cap to the gutter.



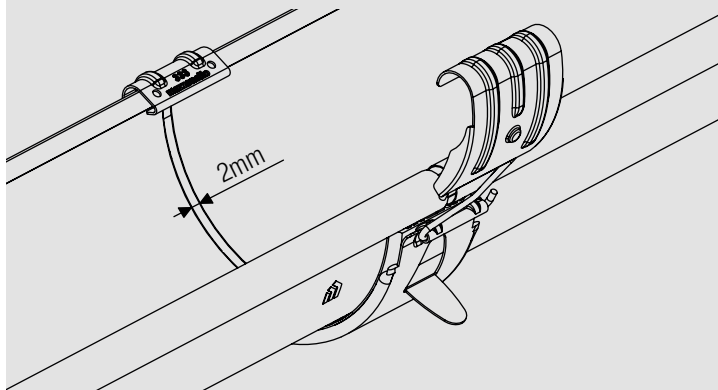
GUTTER CONNECTOR

The quickest and safest solution to join gutter is the connector manufactured by Mazzonetto. Available dimensions are 250, 280, 333 and 400 mm.

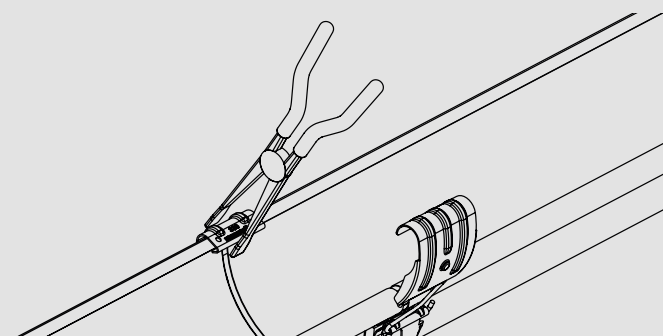
Perfectly compatible with gutters conforming to the EN 612 standard and easy to install thanks to the snap-on closure, they guarantee high mechanical sealing and watertightness without welding or sealants.



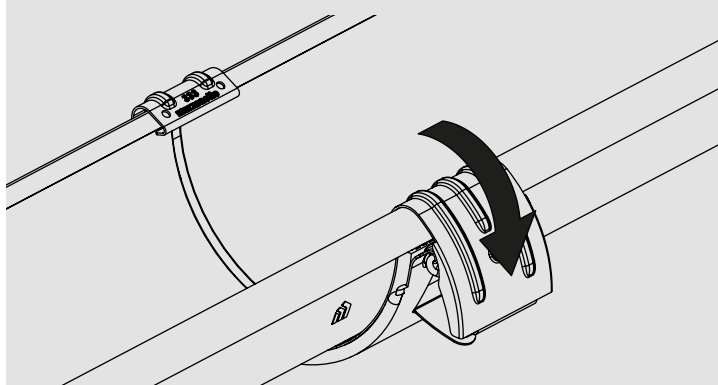
Hook the connector to the gutter.



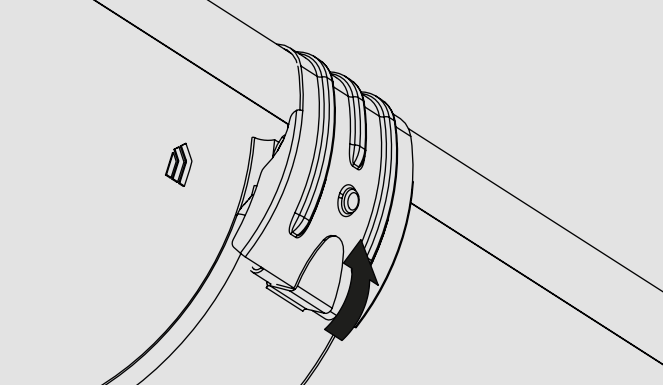
If necessary, increase the tightening of the connector, by bending the back flap with a nipper.



Hook the connector to the gutter.



Block the connector.



CORNER



Corners manufactured by Mazzonetto are obtained from a single metal sheet and are free of welds. Like the gutters, they are processed with a special snap-on profile that facilitates installation and is perfectly compatible with all the other Mazzonetto accessories. Available dimensions are 250, 280, 333 and 400 mm, both inner and outer. In particular, outer corners have a continuous inner part to facilitate the flow of water and enhance the product's sturdiness. Corners have an uniform flat surface.

WELDED ELBOW



Welded elbows have a single weld line and a flat surface. They can be installed and joined to other products very easily thanks to the topside socket and downside indent. Available diameters are 80, 100 and 120 mm in 40°, 72° and 85° degrees.

PIPE CONNECTOR

The Mazzonetto pipe connector facilitates and speeds up the installation of various products.

Its distinctive features include the single welding line and the snap-on profile of the lower edge. Available diameters are 80, 100 and 120 mm.



WELDED DOUBLE ELBOW







The product is distinguished by its single welding line, topside socket and downside indent. The misalignment is 60 mm. Available diameters are 80 and 100 mm.



RAINWATER SYSTEM

			TESTA DI MORO	RAL 7016	RAL 7037	RAL 9005	RAL 9006	RAL 9010	COPPER ROOF	GREEN ROOF	GRAPHITE BLACK	SLATE GREY	AGATE GREY	RAL 7016 3D	RAL 7037 3D	CORTEX 3D		
	ENDCAPS WITH RUBBER	250 mm	•	•	•													
		280 mm	•	•	•	•	•	•										
		333 mm	•	•	•	•	•	•	•	•	•							
		400 mm	•	•	•													
	GUTTER OUTLETS	250/80 mm	•	•	•													
		280/80 mm	•	•	•	•	•	•										
		280/100 mm	•	•	•	•	•	•										
		333/80 mm	•	•	•	•	•	•										
		333/100 mm	•	•	•	•	•	•	•	•	•							
		400/120 mm	•	•	•													
	CUP OUTLETS	Ø 80 mm	•	•	•	•	•	•										
		Ø 100 mm	•	•	•	•	•	•										
		Ø 120 mm	•	•	•													
	PIPES	Ø 80 X 2/3 m	•	•	•	•	•	•			•	•	•	•	•	•	•	
		Ø 100 X 2/3 m	•	•	•	•	•	•	•	•	•	•	•	•	•	•	•	•
		Ø 120 X 2/3 m	•	•	•													
	HOPPERS	Ø 80 mm	•	•	•						•	•	•					
		Ø 100 mm	•	•	•							•	•	•				
		Ø 120 mm	•	•	•													
	PIPE BRACKETS	Ø 80 mm	•	•	•	•	•	•			•	•	•	•	•	•	•	
		Ø 100 mm	•	•	•	•	•	•	•	•	•	•	•	•	•	•	•	•
		Ø 120 mm	•	•	•													

RAINWATER SYSTEM LINE

			TESTA DI MORO	RAL 7016	RAL 7037	RAL 9005	RAL 9006	RAL 9010	COPPER ROOF	GREEN ROOF	GRAPHITE BLACK	SLATE GREY	AGATE GREY	RAL 7016 3D	RAL 7037 3D	CORTEX 3D	
	PIPE CONNECTORS	Ø 80 mm	•	•	•	•	•	•			•	•	•	•	•	•	
		Ø 100 mm	•	•	•	•	•	•	•	•	•	•	•	•	•	•	•
		Ø 120 mm	•	•	•												
	GUTTER SUPPORTS	250 mm	•	•	•												
		280 mm	•	•	•	•	•	•	•								
		333 mm	•	•	•	•	•	•	•	•	•						
		400 mm	•	•	•												
	GUTTER SUPPORTS SHORT VERSION	280 mm	•	•	•												
		333 mm	•	•	•												
	FASCIA SUPPORTS	280 mm	•	•	•												
		333 mm	•	•	•												
	SCREW CAPS	Ø 30 mm	•	•	•	•	•	•	•	•							
	STAINLESS STEEL RIVETS	4 X 9 mm	•	•	•	•	•	•	•	•							

Mazonetto SpA

Z.I. Via A. Ceccon, 10
35010 Loreggia (PD) - Italy

T +39 049.93.226.11

F +39 049.93.226.50

W mazonettometals.com



Mazonetto S.p.A. reserves the right to make changes on its products
anytime in order to better their quality without prior notice.