

METAL SOLUTIONS LIMITED

# Snowguard System



● Copper ● Zinc ● Stainless Steel ● Precoated Aluminium ● GreenCoat Steel

metal  
solutions

## The Snow Guard System

Snow guards and ice guards prevent the dangerous movement of snow & ice, on sloping metal roofs, which can cause injury to people, and damage to plants & property below.

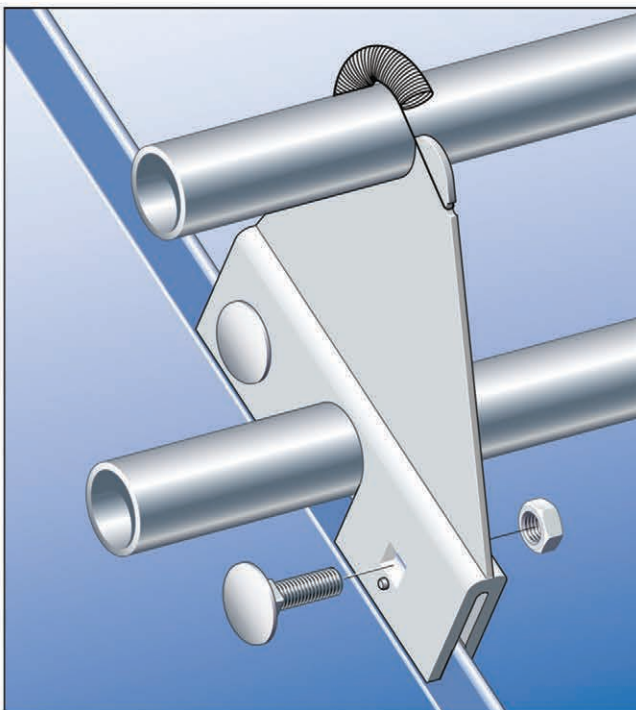
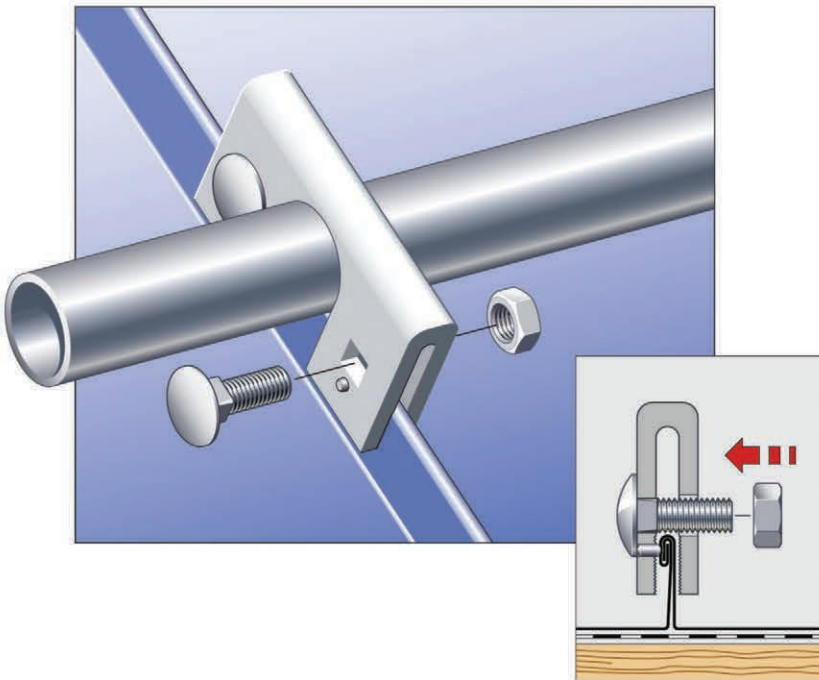
The SM Systeme snow guard clamp comes with a clever patented device that locks onto the seam once the fixing bolts are tightened.

The snow guard system consists of single or double seam clamps, snow tubes, snow tube connectors & ice guards. They are easily installed as part of a new installation or as a retrofit.

All traditional 25mm / 38mm standing seam metal roofs such as copper, brass, bronze, zinc, stainless steel, precoated aluminium & GreenCoat steel can be accommodated.

Snow guard systems are also available for Snaplock® seam systems – please contact us for further details.

For higher snow loads, multiple rows of snow guards can be installed, or alternatively a double snow guard system can be installed.



Snow Guard Clamp



Double Clamp



Ice Guard



Snow Tube



Snow Tube Connector

## Component Availability (25mm seam)

	Snow Guard Clamp	Snow Guard Clamp (double)	Snow Tube (2m length)	Snow Tube Connector	Ice Guard
Aluminium	SM-KA-25	SM-KAD	SM-32A-2	SM-ASVB	SM-EHA-25
Stainless Steel	SM-KE-25	NOT AVAILABLE	SM-32S-2	SM-PSV	SM-EHE-25
Copper	SM-KC-25	NOT AVAILABLE	SM-32C-2	SM-PSV	SM-EHC-25

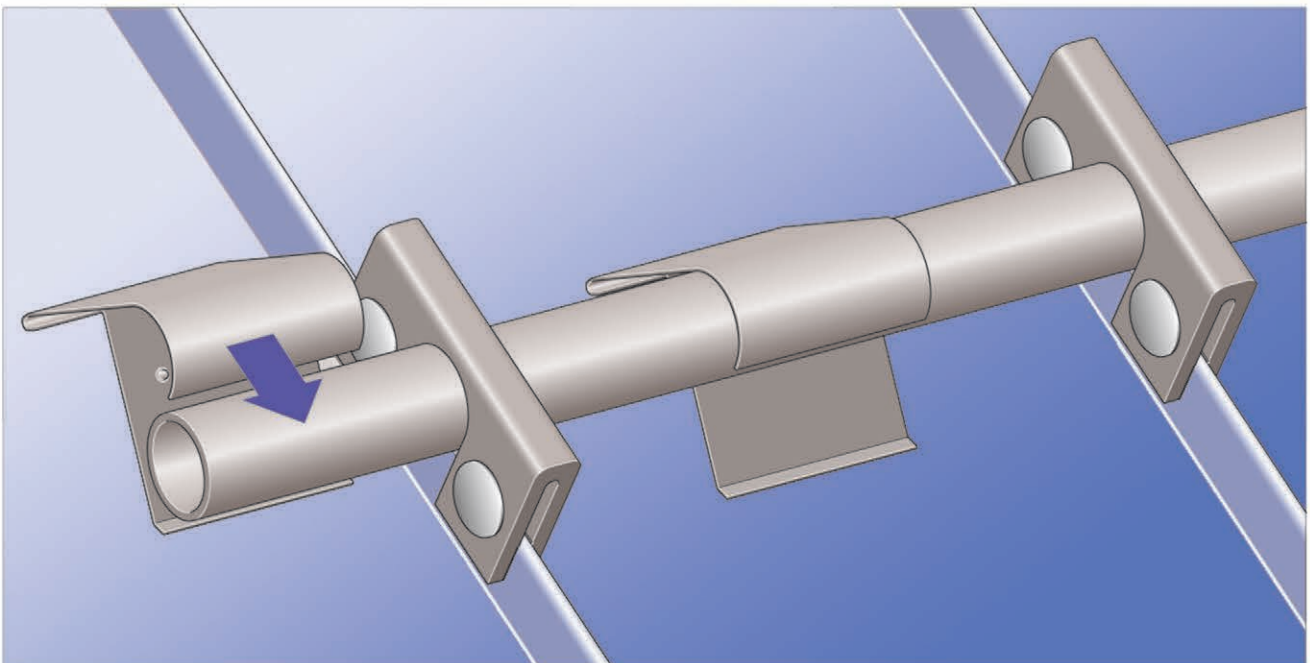
## Installation

Generally one clamp is installed to each standing seam with a snow tube running through, joined end to end by a snow tube connector. Ice guards are optional but are usually installed one per bay.

The manufacturer advises that the clamps must be pre-stressed to 75Nm and again re-tightened to 75Nm after 72 hours at the earliest, using calibrated tightening devices. It is advised that installation layouts should be checked by a qualified engineer.

Full test results are available for the clamps on application.

## Completed installation showing ice guard location



## Other products from Metal Solutions



Metals



Underlays



Copper Fixing Strip



SM Seam Clamps



S5! Seam Clamps



S5! PV Kits



Gutters



Rainwater Pipes



Accessories



Fabrications



Tools



Machinery

This Snow Guard leaflet is intended as an aid in the understanding of the Snow Guard System and refers to standard situations. The general fully supported metal roofing guidelines must be observed. The data contained in this publication is based on our own practical experience and we accept no liability for the accuracy or completeness. We would always advise that project proposals are checked by an engineer prior to installation.

**metal solutions**

Metal Solutions Ltd, Sofa St, Bolton BL1 4QE  
 Tel: +44 (0)1204 491800  
 Email: sales@metalsolutions.uk.com  
 Web: www.metalsolutions.uk.com  
 Store: www.roofing-tools.com



Certificate Number 11457  
 ISO 9001